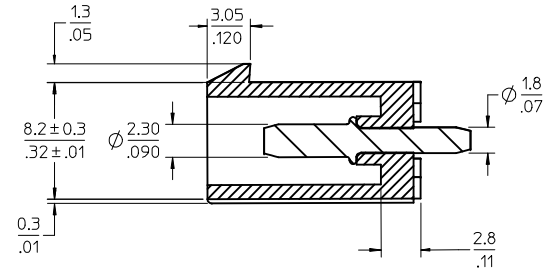
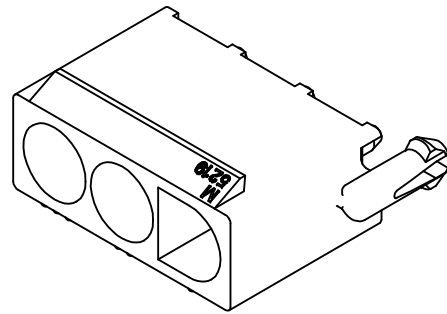
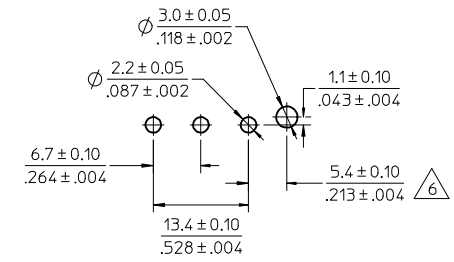
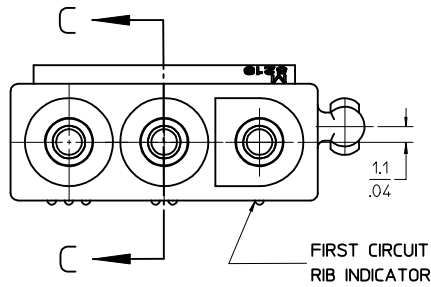


13 12 11 10 9 8 7 6 5 4 3 2 1

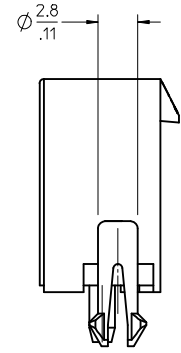
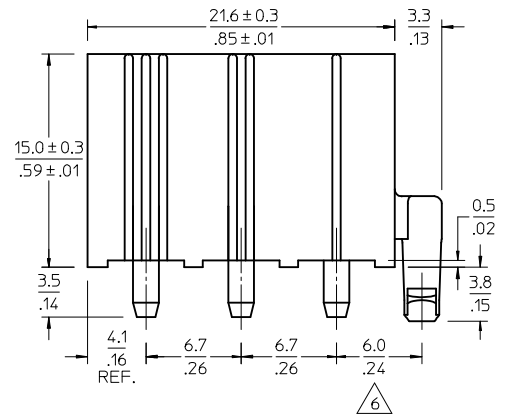
CIRCUITS	EDP NO.	ENG. NO.
3	39287038	5219-03A-201
	15311036	5219-03A



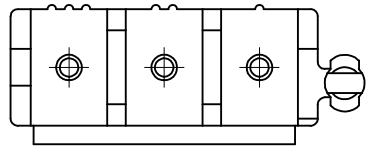
SECTION C-C



RECOMMENDED P.C. BOARD HOLE DIM. SCALE 2:1



- NOTES:
- MATERIAL:  
HOUSING: 'BLANK' = NYLON 6/6, UL94V-2, COLOR: NATURAL  
"201" = NYLON 6/6, UL94V-0, COLOR: NATURAL  
TERMINAL: C2700W BRASS
  - FINISH: 0.000003/(.0000001) MIN. TIN OVERALL OVER  
0.000001/(.00000004) MIN. NICKEL OVERALL
  - PRODUCT SPECIFICATION: PS-3191-003
  - PACKAGING: NONE
  - MATES WITH: 3191-03R SERIES
  - DIFFERENCE OF DIMENSION TO PREVENT RISE FROM P.C.B.
  - PARTS CONFORM TO CLASS 'B' REQUIREMENTS OF COSMETIC SPECIFICATION PS-45499-002.



REDRAWN EC NO: UICP2009-0207 DRWNG: GAVRILL 2008/11/04 CHKD: AELHAG 2008/11/13 APPR: FSMTH 2008/11/18	QUALITY SYMBOLS ▽=0 ▽=0	GENERAL TOLERANCES (UNLESS SPECIFIED)		DIMENSION STYLE MM/IN		SCALE 4:1	DESIGN UNITS METRIC	THIRD ANGLE PROJECTION	
		4 PLACES ± --- ± ---	INCH	DRAWN BY TASAKAWA	DATE 1995/11/18	TITLE NEW INTERNATIONAL CONN. HEADER AND ASSY.			
		3 PLACES ± --- ± .005	mm	CHECKED BY HIRAMOT	DATE 1995/11/18	MOLEX INCORPORATED			
		2 PLACES ± 0.13 ± .010 1 PLACE ± 0.25 ± --- ANGULAR ±1/2°	MATERIAL NO.		APPROVED BY FUKUSHIM	DATE 1995/11/18	DOCUMENT NO. SD-5219-03A-*		
DRAFT WHERE APPLICABLE MUST REMAIN WITHIN DIMENSIONS		SEE CHART		SHEET NO. 1 OF 1		THIS DRAWING CONTAINS INFORMATION THAT IS PROPRIETARY TO MOLEX INCORPORATED AND SHOULD NOT BE USED WITHOUT WRITTEN PERMISSION			

12 11 10 9 8 7 6 5 4 3 2 1